

Vandalization Protection for the Cidron reader

The Cidron reader vandalization protection is an accessory that shields the reader and helps it withstand violence by absorbing and redirecting external forces away from the reader. The sloping sides of the vandalization protection also make it harder to climb on the reader.

In certain environments such as schools and penitentiaries, readers are subjected to an increased risk of vandalism. Even though the reader is robust in its basic design, an extra layer of protection might be needed in high-risk environments.

The vandalization protection is available both for Standard and Slimline Cidron reader models, and comes in the color black. It is securely fastened to the wall using the four screws and screw plugs that are supplied with the accessory.

The Cidron reader accessories includes products that:

- facilitate installation
- assist with complying to legislation
- **protect the reader from external factors**

The Cidron family also includes a range of other physical access control products, such as readers and keyfobs.



Cidron Standard
Color: Black
Dimensions: 120x147x31 mm



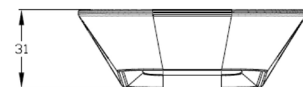
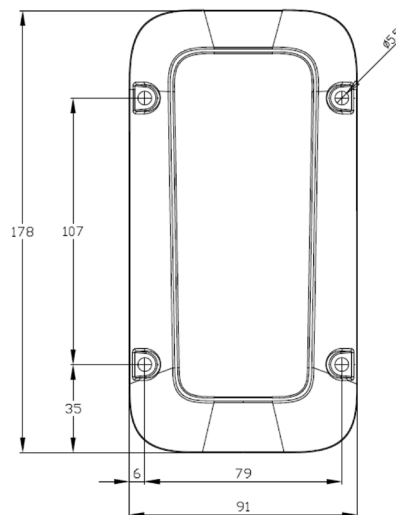
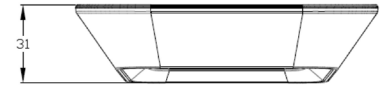
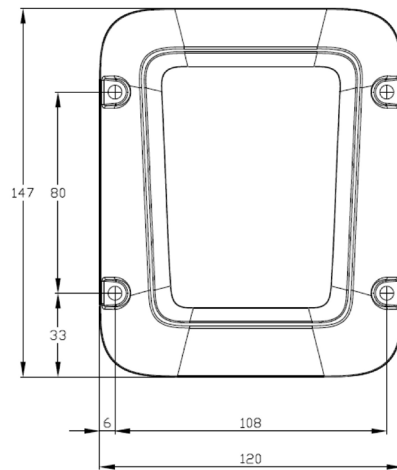
Cidron Slimline
Color: Black
Dimensions: 91x178x31 mm

Specifications

- The supplied screws require the installation tool Security Torx TT25.
- The vandalization protection can easily be retrofitted to already installed Cidron readers.

Compatible accessories

- Distance plates for the vandalization protection for the Cidron reader (see separate product accessory sheet).



Cidron Vandalization Protection

Part No	Description	Dimensions
SC9180-S	Cidron Vandalization Protection Standard, matte black	120x147x31 mm
SC9280-S	Cidron Vandalization Protection Slimline, matte black	91x178x31 mm